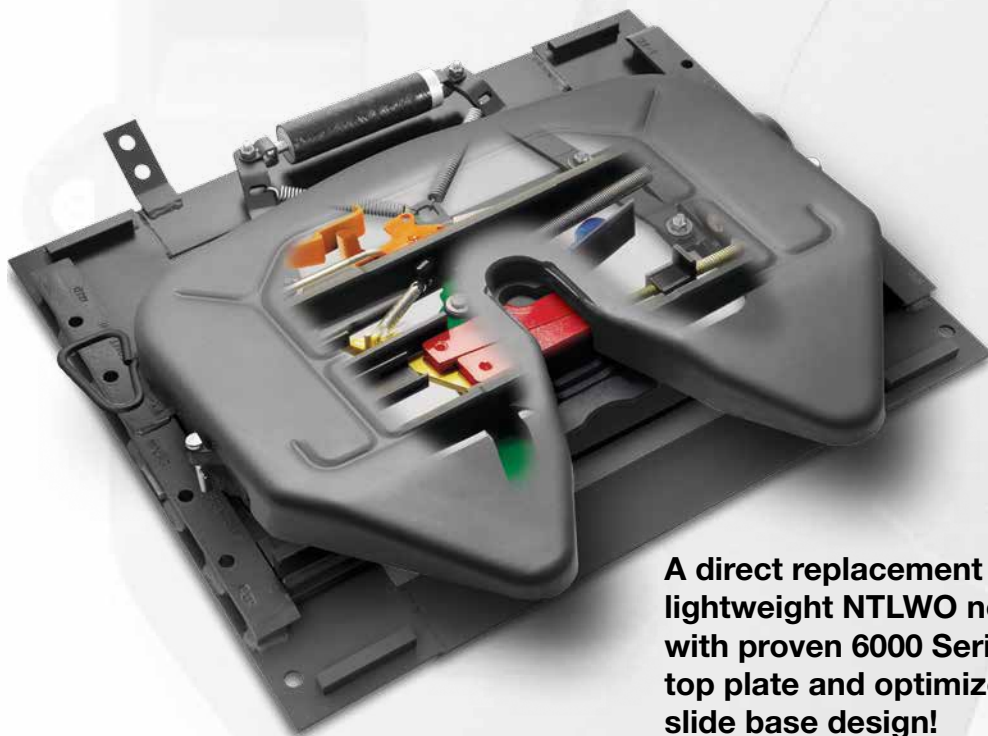


# Light in Weight, **STRONG** in Performance

## INTRODUCING! Fontaine Fifth Wheel **6NWB** Air Slide Assemblies



A direct replacement for  
lightweight NTLWO now  
with proven 6000 Series  
top plate and optimized  
slide base design!

  
**FONTAINE**<sup>®</sup>  
FIFTH WHEEL

[www.fifthwheel.com](http://www.fifthwheel.com) • 800-874-9780

# Light Weight Air Slide Assemblies

Standard duty on-highway applications

## No-Slack® II 6000 NWB Air Slide Assembly



No-Slack® II 6NWB assembly  
50,000 pounds vertical load.  
150,000 pounds drawbar pull.

| Part Number  | Fifth Wheel Height | Slide Length | Weight  |
|--------------|--------------------|--------------|---------|
| SL6NWB675012 | 6-3/4"             | 12"          | 387 lbs |
| SL6NWB675016 |                    | 16"          | 395 lbs |
| SL6NWB675024 |                    | 24"          | 406 lbs |
| SL6NWB775012 | 7-3/4"             | 12"          | 394 lbs |
| SL6NWB775016 |                    | 16"          | 401 lbs |
| SL6NWB775024 |                    | 24"          | 412 lbs |
| SL6NWB875012 | 8-3/4"             | 12"          | 401 lbs |
| SL6NWB875016 |                    | 16"          | 408 lbs |
| SL6NWB875024 |                    | 24"          | 419 lbs |

Typical left hand model shown in chart.

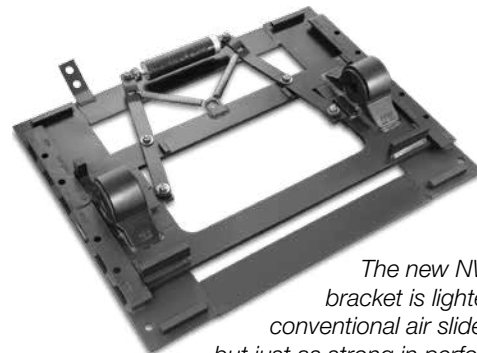
### Options

- Right hand (replace **SL** with **SR**)
- Air actuated (replace **SL** with **AA**): add 5 lbs

### Features

Smart fleet managers look for every conceivable way to cut the weight of their equipment without cutting reliability or durability. They know that every pound saved can give them a competitive advantage. Plus, it's loaded with important features that make it even more attractive to fleet and owner operator customers.

- Uses #1 selling 6000 Series top plate
- 40-70 lbs lighter than competitive slide systems
- Lightest steel slide system available – helps fleets offset heavy emission system components
- Improved fuel economy and low up-charge make the NWB very attractive to weight-sensitive, cost-conscious fleets



*The new NWB air slide bracket is lighter than conventional air slide models, but just as strong in performance! The NWB combines proven components with lightweight features into one cost-effective product.*